

COMBiLiFT

LIFTING INNOVATION

C2500 - C3000

The multi-directional forklift designed for the safe, space saving and productive handling of long and bulky loads.



COMBi C-Series

combilift.com

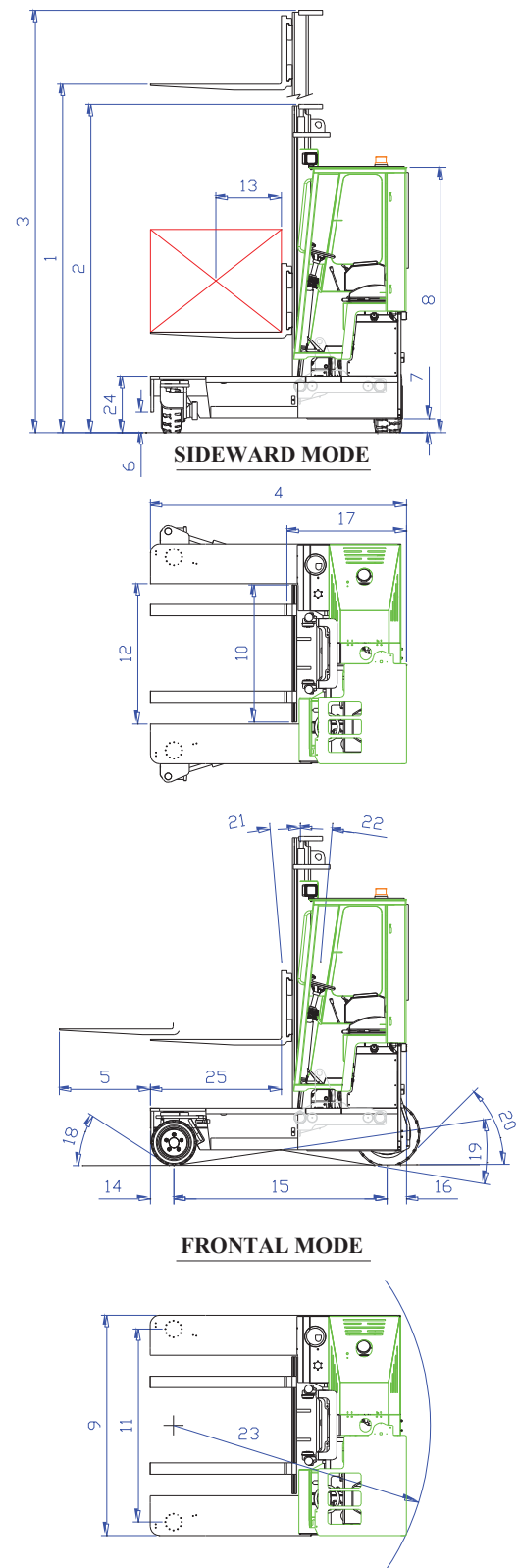
REF.	DESCRIPTION	C2500	C3000
1a	Standard Lift Height	4040 mm	
1b	Free Lift Height	0mm	
2	Height Mast Closed	2655mm	
3	Max. (Mast Raised)	4760mm	
4	Overall Length	1900mm	2250mm
5	Mast Travel	850mm	1200mm
6	Ground Clearance Under Mast	150mm	
7	Ground Clearance to Wheelbase Centre	135mm	
8	Height Over Cab or of Overhead Guard	2345mm	
9	Width	1930mm	
10	Outside Spread of Fork Arms	1200mm	
11	Track Front	1730mm	
12	Frame Opening	1230mm	
13	Load Centre Distance	600mm	
14	Overhang Front	205mm	
15	Wheel Base	1528mm	1878mm
16	Overhang Back	167mm	
17	Length from Face of Fork	1100mm	
18	Approach Angle	45°	
19	Ramp Angle	17°	
20	Departure Angle	45°	
21	Forward Tilt	2°	
22	Backward Tilt	4°	
23	Minimum Outside Radius	1905mm	2200mm
24	Platform Height	495mm	
25	Platform Length	800mm	1150mm
A	Capacity	2500kg	3000kg
B	Unladen Weight	4500kg	4900kg
C	Maximum Ground Speed	14km/h	
D	Gradeability	10%	
E	Kubota V1505-T Diesel / 2.2 ltr Toyota 4Y Engine LPG	32kW/ 42kW	
F	Electrics	12 Volt	
G	Fork Sections 50mm x 150mm x	800mm	1150mm
H	200/50 x 10 Front Tyre	OD 406mm / Width 178mm	
I	23 x 10-12 Rear Tyre	OD 580mm / Width 240mm	
J	Standard Colour	Green and Grey	
K	Suspension Seat	KAB Model 211	

European Patent No. 2167416; Brazilian Patent No. P10811954-6; Australian Patent No. 2008253242

Features Include:

- Rubber Mounted Cabin
- Multi-Direction Operation
- 3 Wheel Hydrostatic Drive
- Load Sensing Steering
- 4 Way Lever Positioning of Wheels
- Hydraulic Oil Cooler

Distributed by:



Rev: LH17.07.0

Combilift has a policy of continuous product development and reserves the right to alter specifications without prior notice. Specifications and/or dimensions may vary from those illustrated in some countries.

Co. Monaghan
Ireland
+353 47 80500
info@combilift.com

COMBi C2500 - C3000

combilift.com